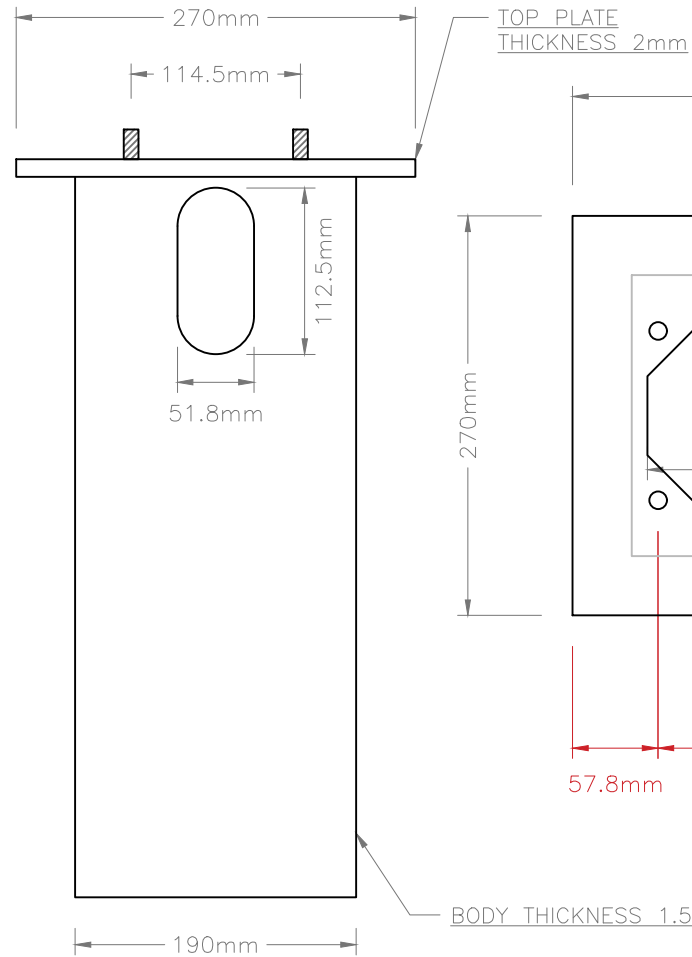
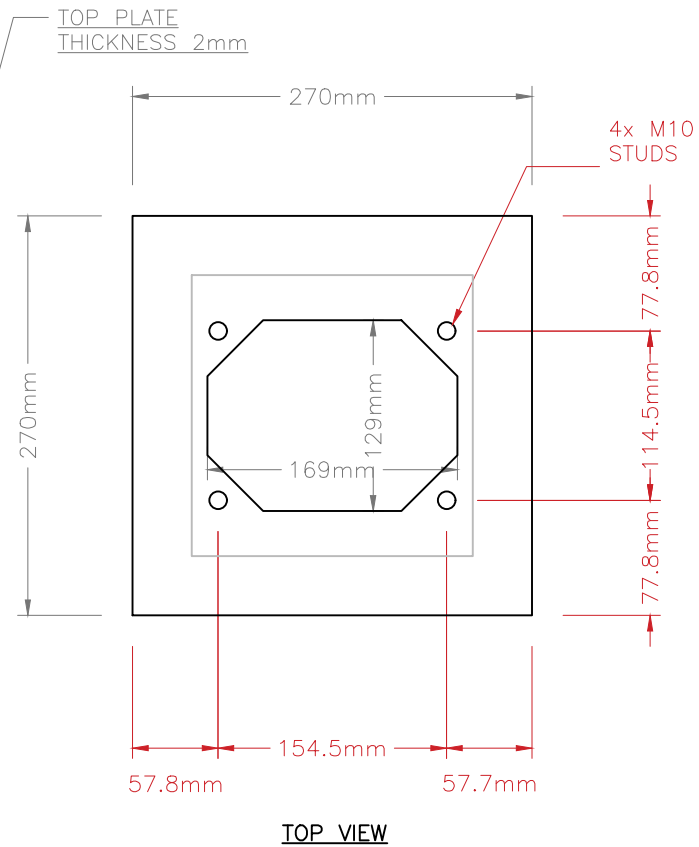


FRONT VIEW




SIDE VIEW



TOP VIEW

BODY THICKNESS 1.5mm

PROJECT:	
CLIENT:	
TITLE: <b>AUTOCHARGE MIDI GALVANISED MOUNTING BASE</b>	
DWG No: <b>GMP60010</b>	REVISION:
DRAWN: <b>CM</b>	DATE: <b>14/09/2020</b>
SCALE: <b>NTS</b>	SIZE: <b>A4</b>
 RALPHS LANE, FRAMPTON WEST, BOSTON, LINCOLNSHIRE, ENGLAND, PE20 1QU WWW.ROLECSERV.COM T: +44 (0)1205 724754	